



FY-25 Active-Duty Line Community Brief Disclaimer

This community brief has been generated by the community leaders, including detailers and community managers. It has been vetted by Navy Personnel Command and OJAG for statutory compliance and approved by SECNAV.

Community leaders have provided these slides to community members for career planning purposes; however, strict adherence to the career progressions depicted in the slides is not a prerequisite for promotion.

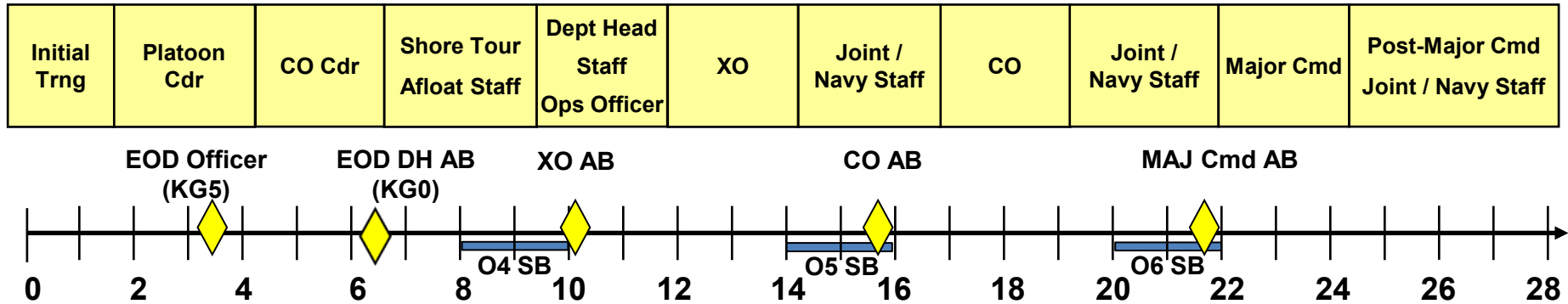
ONLY MATERIAL APPROVED BY THE SECRETARY OF THE NAVY WILL BE PRESENTED TO STATUTORY SELECTION BOARDS. THIS BRIEF HAS BEEN APPROVED BY SECNAV FOR USE BY THE FY-25 STATUTORY SELECTION BOARDS.



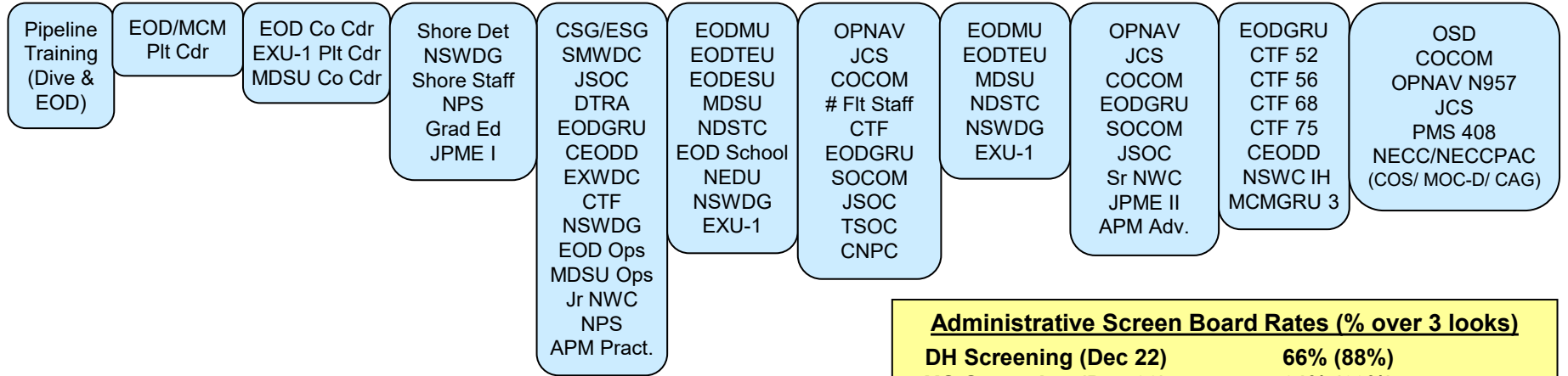
Explosive Ordnance Disposal Officer

Career Progression

Career Path



Typical Billets



Administrative Screen Board Rates (% over 3 looks)	
DH Screening (Dec 22)	66% (88%)
XO Screening (Dec 22)	21% (69%)
CO Screening (Dec 22)	28% (69%)
MAJ CMD Screening (Nov 22)	24% (66%)



Explosive Ordnance Disposal Officer

Community Values

▪ Valued achievements prior to LIEUTENANT COMMANDER

- Attained EOD Officer Warfare Qualification (KG5)
- Administratively screened for EOD DH (KG0)

▪ Valued achievements prior to COMMANDER

- Served or serving as an EOD Executive Officer afloat or ashore (**priority**)
- Continued superior performance in Ech 3-4 Navy staffs and acquisition assignments

▪ Valued achievements prior to CAPTAIN

- Served or serving in O5/Commander Command afloat or ashore
- Continued superior performance in Navy staff and joint duty assignments



FY-25 Active-Duty Merit Reorder Disclaimer

This information is provided to assist board members in identifying performance and career achievements which may indicate a record of particular merit. Board members are expected to use their experience and judgment after review of the records recommended for promotion to determine those records of particular merit. Information on these slides is not an all inclusive list and should not be used to exclude records that otherwise document particular merit. This information is not a checklist of traits required for merit and should not be a substitute for board discretion. It has been vetted by Navy Personnel Command and OJAG for statutory compliance and approved by SECNAV.

ONLY MATERIAL APPROVED BY THE SECRETARY OF THE NAVY WILL BE PRESENTED TO STATUTORY SELECTION BOARDS. THIS BRIEF HAS BEEN APPROVED BY SECNAV FOR USE BY THE FY-25 STATUTORY SELECTION BOARDS.



Explosive Ordnance Disposal Officer

Merit Reorder Considerations

▪ Valued achievements prior to LIEUTENANT COMMANDER

- Minimum requirements: Superior performance across multiple tours/reporting seniors to include EODMU/MDSU/CTF Ops Officer or ECH IV and above staff
- Secondary criteria: Kauffman Award recipient then those who completed in-resident graduate education or JPME Phase I

▪ Valued achievements prior to COMMANDER

- Minimum requirements: Superior performance as an executive officer; awarded “EOD EXEC OFF” AQD (KG6)
- Secondary Criteria: Top recognized performer in post-XO, Ech 1-4 Staff or joint billets
- Tertiary criteria: Completed JPME Phase I and in-resident graduate education

▪ Valued achievements prior to CAPTAIN

- Minimum requirements: Top recognized performer in O5/CDR Command; awarded “EOD CO” AQD (KG7)
- Secondary criteria: Top recognized performer in Post-CO, Ech 1-4 major Navy/joint staff or sequential Command
- Tertiary criteria: Completed joint tour or JPME Phase II